

MUJIE 慕杰[®]

YOUR AUTOMATION, YOUR MUJIE!

体积小,重量轻,安装方便
封闭式壳体更加牢固抗冲击,
防水IP:66,反接保护及短路保护,
高抗电磁干扰

Small size, light weight, easy installation,
the closed shell is more firm and impact
resistant, waterproof ip:66 reverse connection
protection and short circuit protection, high
anti electromagnetic interference



抗干扰增强型防水MG系列

Anti interference enhanced waterproof mg series

型号说明 Model Explanation

MG	38	S	6	-F-	(1000)	BZ	5-26	F	2	□
基本型号 Model M:常规增量型 Incremental encoder M□: 特殊型号定义 Special definition	主体外径OD 38:Φ38MM 50:Φ50MM 58:Φ58MM	轴型Shaft type: 实心轴 Solid shaft	轴直径: 6:Φ6mm 8:Φ8mm 10:Φ10mm 12:Φ12mm 等	输出方式 Output configuration : F:推挽输出 Push-pull C:集电极开路 Open collector E:电压输出 Voltage L:AM26LS31驱动输出Driver output (driving element AM26LS31) T:ICH7长线驱动输出Driver output (driving element ICH7)	脉冲数/分辨率 Resolution 10-36000P/R	输出相 Outputsignal: B:AB两相 BZ:ABZ三相	电压 Supply voltage 5:5V 5-26:5-26V 12-24:12-24V	出线方式 Outlet way G:侧出线 Side outlet F:侧出线防水 Side outlet waterproof E:后出线 Bottom outlet	线缆长度 Cable 2:2m	客户定制 Customized informat

电缆线色说明 Cable Color Explanation

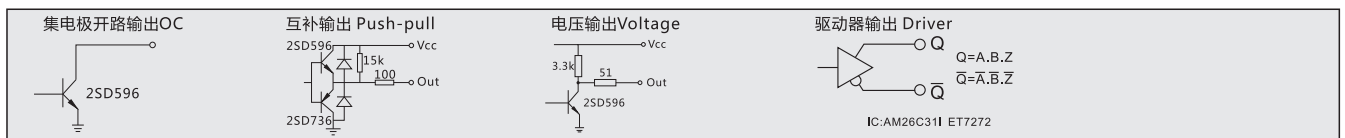
信号线Signal	VCC	0V	A	B	Z	A/	B/	Z/	屏蔽线Shield
5芯电缆线5 wires	红Red	黑Black	绿Green	白White	黄Yellow	-	-	-	N.C
8芯电缆线8 wires	红Red	黑Black	绿Green	白White	黄Yellow	棕Brown	灰Gray	橙Orange	N.C

注1: 电缆颜色若有更改, 恕不另行通知, 请以编码器标签或说明书上的颜色定义为准。Note1: Please refer to color table or product instruction to connect wires.Chang of wire color will not be informed respectively.
注2: 电缆线标准线长2米, 如需其他规格在订货中备注说明。Note2: Standard cable length is 2m.Other length can be customized.

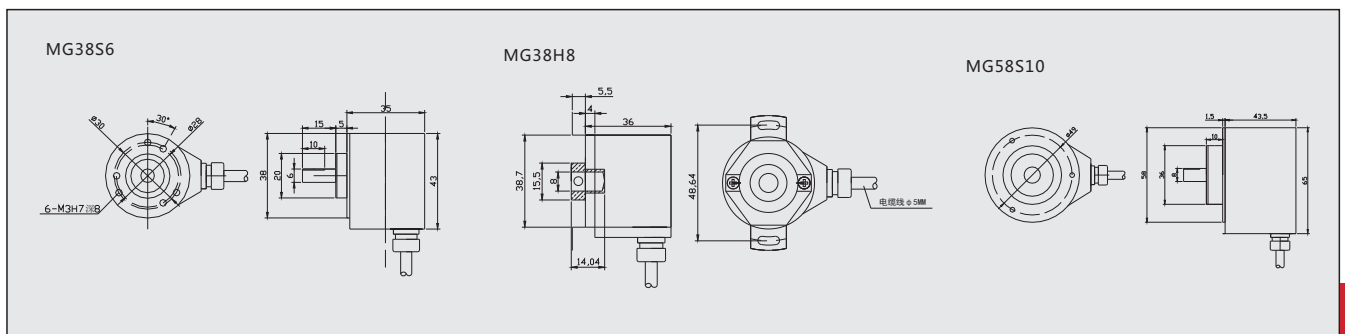
技术规格 Specification

电气参数 Electric parametar			
输出电路 Output circuit	驱动器 Drivers L	C、E、F	驱动器 Drivers T
电源电压Mains voltage	+5V ±5%	+5V ~ 24v	+8V ~ 24V
消耗电流Current consumption	≤60mA	≤60mA	≤60mA
允许负载Allowable load	20mA	30 mA	20mA
信号高电平Signal high electrical level	≥2.5V	≥VCC*70%V	≥VCC*70%V
信号低电平Signal low electrical level	≤0.5V	≤0.5V	≤0.5V
上升/下降时间Rise /down time	≤100ns	≤1us	≤100ns
响应频率Response frequency	150KHz	150KHz	150KHz
机械及环境参数Mechanical and Environmental			
径向负载 Radial load	≤30N	抗冲击 Concussion resist	1000m/s ² , 6ms
轴向负荷Axial load	≤15N	抗振动Vibration resist	100m/s ² , 10~200Hz
起动力矩 Storque	≤2 × 10 ⁻³ N.m	工作温度Working temperature	- 20°C ~ +85°C
最高转速 Tiptop rotate speed	6000r/min	储存温度Storing temperature	- 20°C ~ +85°C
转动惯量 Runing inertia	20g/cm ²	相对湿度Relatively humidity	≤RH85%无结露No icing
允许角加速度Allowable acceleration	1 × 10 ⁴ rad/s ²	防护等级Protect grade	IP66
重量weight	约About 0.15kg		

电路输出方式(示例) Example for output circuit



安装尺寸图 Mounting Dimensions(单位Unit:mm)



编码器/磁栅尺
Encoder/Magnetic Scale

位移/倾角/计数器
Displacement/Inclination/Counter

接近加速度/温度
Proximity/Acceleration/Temperature

光电/超声波/区域
Photoelectric/Ultrasonic/Area

压力/称重
Pressure /load cell

联轴器/附件
Couplings/Accessories