

MUJIE 慕杰®

YOUR AUTOMATION.YOUR MUJIE!

经典外形，高可靠性，耐油防摔，可配
急停开关和使能开关，选择开关可配选
点对点/二进制/格雷码输出

手持盒编码器MSCB系列

Handheld box encoder MSCB series

Classic shape, high reliability, oil resistance
and fall resistance, can be equipped with
emergency stop switch and enable switch,
and the selection switch can be equipped with
point-to-point / binary / Gray code output



型号说明 Model Explanation

MSCB	-C-	(100)	5	4	-69	□	□	□
基本型号 Model M:常规增量型 Incremental encoder M□: 特殊型号定义 Special definition	输出方式 Output mode: C:集电极开路 Open collector L:差分输出 Differential output	脉冲数/分辨率 Resolution 25/100P/R	电压 Voltage 5:5v 5-26:5-26V	轴 Axis 4:4轴 Axis 5:5轴 Axis 6:6轴 Axis	开关 Switch 69:没有使能, 不带急停开关 No enable, without emergency stop switch 74:带使能,带急停开关 With enable and emergency stop switch	航空插头 Aviation plug G:公端 Male M:母端 Female end	插头规格 Plug size 15:15芯 25:25芯 26:26芯	客户定制 Customized informat

电缆线色说明 Cable Color Explanation

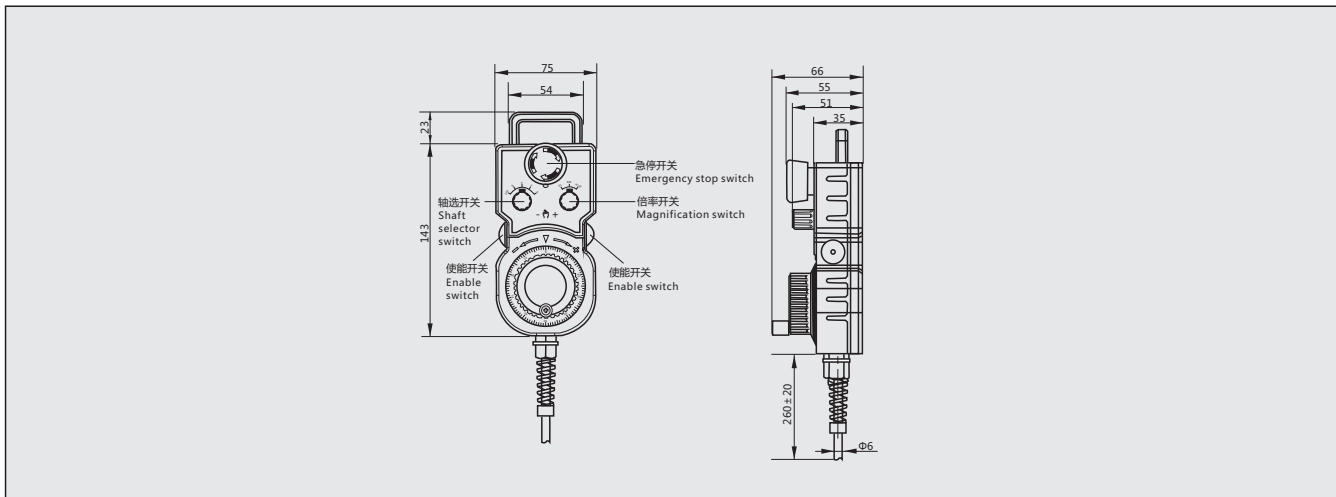
信号线Signal	GND	VCC	A	B	A /	B /	L -	L +	COM	X100	X10	X1	6 (选配)	5 (选配)	4	Z	Y	X	屏蔽线Shield
电缆线 wires	黑Black	红Red	黄Yellow	白White	粉红Pink	绿Green	浅紫 Light purple	透明 Transparent	紫 Purple	透明/紫 Transparent purple	蓝/黑 Blue/black	绿/黑 Green/black	灰 Gray	红/黑 Red/black	蓝 Blue	浅蓝 Light blue	橙 Orange	棕 Brown	N.C
序号 NO	1	2	3	4	5	6	7	8	9	10	11	12	13	14	15	16	17	18	

注1: 电缆颜色若有更改, 恕不另行通知, 请以编码器标签或说明书上的颜色定义为准。Note1: Please refer to color table or product instruction to connect wires.Chang of wire color will not be informed respectively.
注2: 电缆线标准线长2米, 如需其他规格在订货中备注说明。Note2: Standard cable length is 2m.Other length can be customized.

技术规格Specification

电气参数 ELECTRIC PARAMETAR	
输出电路 Output circuit	驱动器 Drivers L C、E、F
电源电压Mains voltage	+5V ±5%
消耗电流Current consumption	≤60mA
允许负载Allowable load	20mA
信号高电平Signal high electrical level	≥2.5V
信号低电平Signal low electrical level	≤0.5V
上升/下降时间Rise /down time	≤100ns
响应频率Response frequency	100KHz
机械及环境参数Mechanical and Environmental	
抗冲击 Concussion resist	1000m/s ² , 6ms
抗振动Vibration resist	100m/s ² ,10~200Hz
工作温度Working temperature	-20°C~+85°C
储存温度Storing temperature	-20°C~+85°C
相对湿度Relatively humidity	≤RH85%无结露No icing
防护等级Protect grade	IP54

安装尺寸图 Mounting Dimensions(单位Unit:mm)



编码器/磁栅尺
Encoder/Magnetic Scale

位移/倾角/计数器
Displacement /Inclination /Counter

接近/加速度/温度
Proximity/Acceleration/Temperature

光电/超声波/区域
Photoelectric/Ultrasonic/Area

压力/称重
Pressure / load cell

联轴器/附件
Couplings/Accessories