

# MUJIE 慕杰®

YOUR AUTOMATION.YOUR MUJIE!

## 手持盒编码器MSCS系列

Handheld box encoder MSCS series

经典外形，耐油防摔，轴选倍率上下排布，  
可选用大旋钮，选择开关可选点对点、二  
进制及格雷码输出，手轮有塑料与金属二  
款材质可选

Classic shape, oil resistant and fall proof, shaft  
selection magnification arranged up and down,  
large knob can be selected, selection switch  
can select point-to-point, binary qualified  
lightning code output, and handwheel can be  
made of plastic and metal



### ► 型号说明 Model Explanation

MSCS	-C-	(100)	5	4	-69	□	□	□
基本型号 Model M:常规增量型 Incremental encoder  M□: 特殊型号定义 Special definition	输出方式 Output mode: C:集电极开路 Open collector L:差分输出 Differential output	脉冲数/分辨率 Resolution 25/100P/R	电压 Voltage 5:5v 5-26:5-26V	轴 Axis 4:4轴 Axis 5:5轴 Axis 6:6轴 Axis	开关 Switch 69:没有使能, 不带急停开关 No enable, without emergency stop switch 74:带使能, 带急停开关 With enable and emergency stop switch	航空插头 Aviation plug G:公端 Male M:母端 Female end	插头规格 Plug size 15:15芯 25:25芯 26:26芯	客户定制 Customized informat

### ► 电缆线色说明 Cable Color Explanation

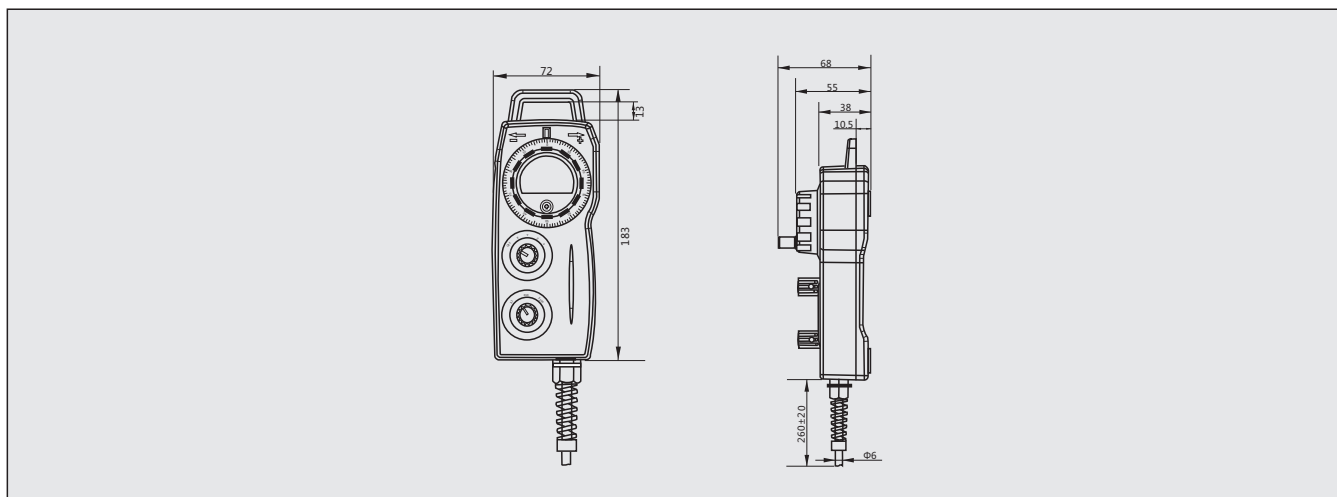
信号线Signal	GND	VCC	A	B	A /	B /	L -	L +	COM	X100	X10	X1	6 (选配)	5 (选配)	4	Z	Y	X	屏蔽线Shield
电缆线 wires	黑Black	红Red	黄Yellow	白White	粉红Pink	绿Green	浅紫 Light purple	透明 Transparent	紫 Purple	透明/紫 Transparent purple	蓝/黑 Blue/black	绿/黑 Green/black	灰 Gray	红/黑 Red/black	蓝 Blue	浅蓝 Light blue	橙 Orange	棕 Brown	N.C
序号 NO	1	2	3	4	5	6	7	8	9	10	11	12	13	14	15	16	17	18	

注1: 电缆颜色若有更改, 恕不另行通知, 请以编码器标签或说明书上的颜色定义为准。Note1: Please refer to color table or product instruction to connect wires. Change of wire color will not be informed respectively.  
注2: 电缆线标准线长2米, 如需其他规格在订货中备注说明。Note2: Standard cable length is 2m. Other length can be customized.

### ► 技术规格 Specification

电气参数 ELECTRIC PARAMETAR	
输出电路 Output circuit	驱动器 Drivers L C、E、F
电源电压 Mains voltage	+5V ± 5% +5V ~ 24v
消耗电流 Current consumption	≤ 60mA ≤ 120mA
允许负载 Allowable load	20mA 30 mA
信号高电平 Signal high electrical level	≥ 2.5V ≥ VCC * 70%V
信号低电平 Signal low electrical level	≤ 0.5V ≤ 0.5V
上升/下降时间 Rise / down time	≤ 100ns ≤ 1us
响应频率 Response frequency	100KHz 100KHz
机械及环境参数 Mechanical and Environmental	
抗冲击 Concussion resist	1000m/s <sup>2</sup> , 6ms
抗振动 Vibration resist	100m/s <sup>2</sup> , 10~200Hz
工作温度 Working temperature	- 20°C ~ +85°C
储存温度 Storing temperature	- 20°C ~ +85°C
相对湿度 Relatively humidity	≤ RH85% 无结露 No icing
防护等级 Protect grade	IP54

### ► 安装尺寸图 Mounting Dimensions (单位 Unit: mm)



编码器/磁栅尺  
Encoder/Magnetic Scale

位移/倾角/计数器  
Displacement / Inclinon / Counter

接近/加速度/温度  
Proximity / Acceleration / Temperature

光电/超声波/区域  
Photoelectric / Ultrasonic / Area

压力/称重  
Pressure / load cell

联轴器/附件  
Couplings / Accessories

# MUJIE 慕杰®

YOUR AUTOMATION.YOUR MUJIE!

经典外形，超薄设计，耐油防摔，轴选/倍率位置可左右调换定制，轴选数可按客户要求定制

Classic shape, ultra-thin design, oil resistance and fall resistance, the axis selection / magnification position can be customized by changing from left to right, and the number of axis selections can be customized according to customer requirements

## 手持盒编码器MSCA系列

Handheld box encoder MSCA series



### 型号说明 Model Explanation

MSCA	-C-	(100)	5	4	-69	□	□	□
基本型号 Model M:常规增量型 Incremental encoder  M□: 特殊型号定义 Special definition	输出方式 C:集电极开路  L:差分输出	脉冲数/分辨率 Resolution 25/100P/R	电压 Voltage 5:5v 5-26:5-26V	轴 Axis 4:4轴 Axis 5:5轴 Axis 6:6轴 Axis	开关 Switch 69:没有使能, 不带急停开关 No enable, without emergency stop switch 74:带使能, 带急停开关 With enable and emergency stop switch	航空插头 Aviation plug G:公端 Male M:母端 Female end	插头规格 Plug size 15:15芯 25:25芯 26:26芯	客户定制 Customized informat

### 电缆线色说明 Cable Color Explanation

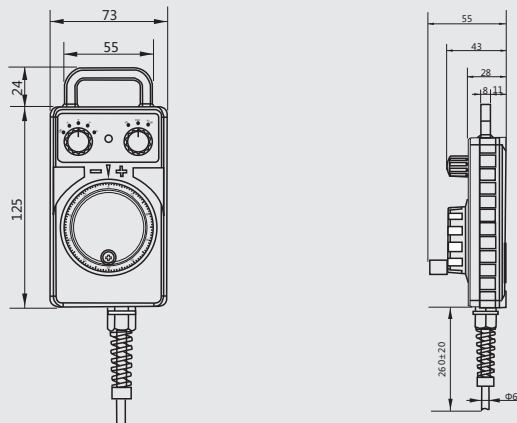
信号线Signal	GND	VCC	A	B	A /	B /	L -	L +	COM	X100	X10	X1	6 (选配)	5 (选配)	4	Z	Y	X	屏蔽线Shield
电缆线 wires	黑Black	红Red	黄Yellow	白White	粉红Pink	绿Green	浅紫 Light purple	透明 Transparent	紫 Purple	透明紫 Transparent purple	蓝/黑 Blue/black	绿/黑 Green/black	灰 Gray	红/黑 Red/black	蓝 Blue	浅蓝 Light blue	橙 Orange	棕 Brown	N.C
序号 NO	1	2	3	4	5	6	7	8	9	10	11	12	13	14	15	16	17	18	

注1: 电缆颜色若有更改, 恕不另行通知, 请以编码器标签或说明书上的颜色定义为准。Note1: Please refer to color table or product instruction to connect wires. Change of wire color will not be informed respectively.  
注2: 电缆线标准线长2米, 如需其他规格在订货中备注说明。Note2: Standard cable length is 2m. Other length can be customized.

### 技术规格 Specification

电气参数 ELECTRIC PARAMETAR		
输出电路 Output circuit	驱动器 Drivers L	C、E、F
电源电压 Mains voltage	+5V ± 5%	+5V ~ 24v
消耗电流 Current consumption	≤ 60mA	≤ 120mA
允许负载 Allowable load	20mA	30 mA
信号高电平 Signal high electrical level	≥ 2.5V	≥ VCC * 70%V
信号低电平 Signal low electrical level	≤ 0.5V	≤ 0.5V
上升/下降时间 Rise /down time	≤ 100ns	≤ 1us
响应频率 Response frequency	100KHz	100KHz
机械及环境参数 Mechanical and Environmental		
抗冲击 Concussion resist	1000m/s <sup>2</sup> , 6ms	
抗振动 Vibration resist	100m/s <sup>2</sup> , 10~200Hz	
工作温度 Working temperature	- 20°C ~ +85°C	
储存温度 Storing temperature	- 20°C ~ +85°C	
相对湿度 Relatively humidity	≤ RH85% 无结露 No icing	
防护等级 Protect grade	IP54	

### 安装尺寸图 Mounting Dimensions (单位 Unit: mm)



编码器/磁栅尺  
Encoder/Magnetic Scale

位移/倾角/计数器  
Displacement /Inclination /Counter

接近/加速度/温度  
Proximity /Acceleration /Temperature

光电/超声波/区域  
Photoelectric /Ultrasonic /Area

压力/称重  
Pressure / load cell

联轴器/附件  
Couplings/Accessories