

# MUJIE 慕杰®

YOUR AUTOMATION, YOUR MUJIE!

操作简单，非接触式检测，抗振动，抗冲击，带输出动作切换功能和灵敏度切换功能

## 微型光电传感器MUE-S13系列 Micro photoelectric sensor mue-s13 series

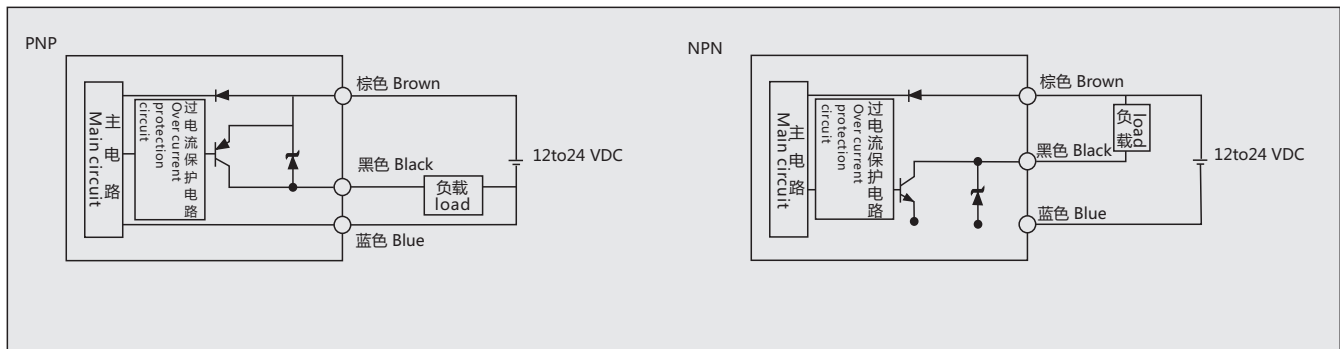
Simple operation, non-contact detection, anti vibration, anti impact, with output action switching function and sensitivity switching function



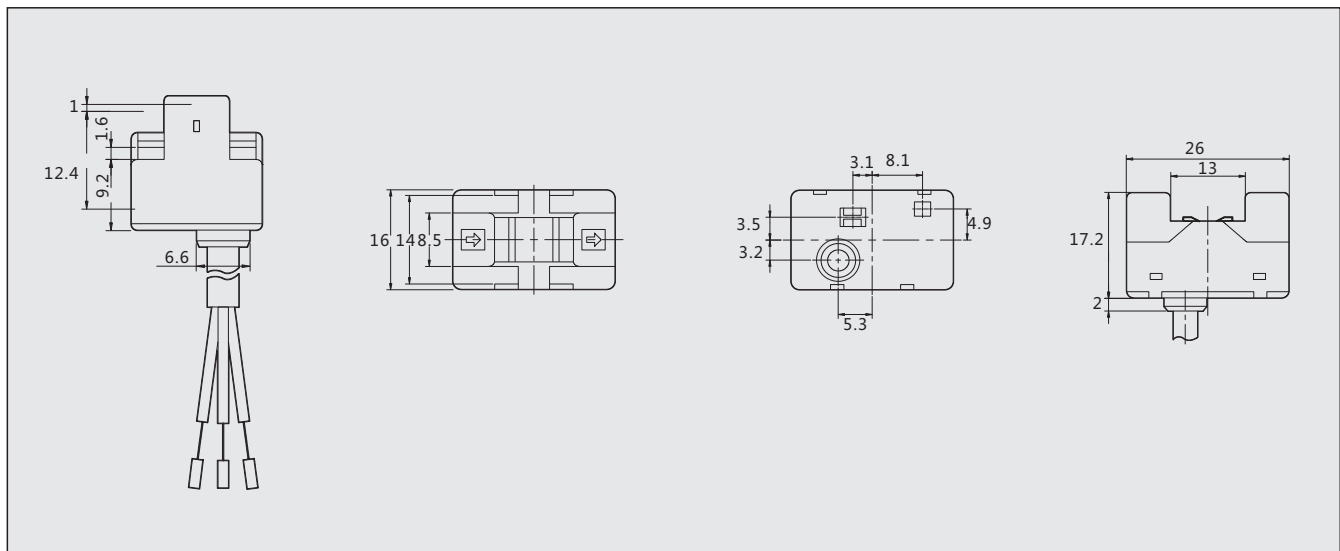
### ► 技术规格 Specification

型号 model	MUE-S13	MUE-S13P
适用型 Applicable type	外径Φ6~13mm(厚度1mm)的透明导管(氟树脂)或具有同等透明的物体	External diameter Φ 6~13mm (1mm thick) transparent conduit (fluororesin) or equivalent transparent object
标准检测物体 Target vertebra detection object	导管内的液体(高粘度或浑浊液体会有一部分场合不能检出)	Liquid in the catheter (high viscosity or turbid liquid may not be detected in some occasions)
光源(最大发光波长) Light source (maximum luminous wavelength)	GaAs红外发光二极管(940nm)	GaAs infrared light emitting diode (940nm)
动作显示灯 Action display lamp	入光时灯亮(红色) The light is on when entering the light (red)	
电源电压 supply voltage	DC12~24V±10% 脉动(P-P)5%以下	Dc12~24v ± 10% pulsation (P-P) less than 5%
消耗电流 Consumed current	平均值30mA以下, 前段值80mA以下	The average value is less than 30mA, and the previous value is less than 80mA
控制输出 Control output	负载电流电压DC5~24V,负载电流100mA以下 残余电压0.8V以下(负载电流100mA时) 残余电压0.4V以下(负载电流40mA时)NPN集电极开路输出型	Load current voltage dc5~24v, load current below 100mA, residual voltage below 0.8V (load current 100mA), residual voltage below 0.4V (load current 40mA) NPN collector open circuit output type
使用周围照度 Use ambient illumination	白炽灯 太阳光: 各3,000lx以下	Incandescent lamp sunlight: below 3000lx each
环境温度 ambient temperature	工作时: -10~+55℃保存时: -25~+65℃(不结冻, 不结露)	During operation: -10~+55 °C during storage: -25~+65 °C (no freezing, no condensation)
环境湿度 ambient humidity	工作时: 5~85%RH保存时: 5~95%RH(不结露)	Working time: 5~85%rh storage time: 5~95%rh (no condensation)
振动(耐久) Vibration (durable)	10~500Hz振幅1.0mm或加速度150m/s²X,Y,Z各方向3次(11min/次)	10~500hz amplitude 1.0mm or acceleration 150m/s²x, y, Z three times in each direction (11min/ time)
冲击(耐久) impact (durable)	500m/s²X,Y,Z各方向3次	500m/s²x, y, Z three times in each direction
保护结构 Protective structure	IEC规格IP50 IEC specification ip50	
连接方式 Connection mode	导线引出线(标准导线长1m)	Conductor outgoing line (the length of standard cone conductor is 1m)
材质 texture of material	PC	

### ► 接线图 Wiring diagram



### ► 安装尺寸图 Mounting Dimensions(单位Unit:mm)



编码器/磁栅尺  
Encoder/Magnetic Scale

位移/倾角/计数器  
Displacement /Inclination /Counter

接近/加速度/温度  
Proximity/Acceleration/Temperature

光电/超声波/区域  
Photoelectric/Ultrasonic/Area

压力/称重  
Pressure / load cell

联轴器/附件  
Couplings/Accessories