

# MUJIE 慕杰®

YOUR AUTOMATION.YOUR MUJIE!

## 定制型漫反射光电传感器MNBZ系列

Customized diffuse reflection photoelectric sensor MNBZ series

适用于多种用途，产品性能好，品质好，不受背景颜色的影响，重复精度可达0.3，不受角度和表面影响，检测透明和不透明物体。It is suitable for a variety of purposes, with good product performance and quality, it is not affected by the background color, and the repetition accuracy can reach 0.3, detection of transparent and opaque objects independent of angles and surfaces



### ► 型号说明 Model Explanation

M	NBZ	-20	D	N	K	-Z	-□	-□
基本型号 Model M:型号代码 Model code M□:特殊型号定义 Special definition	传感器类别: NBZ:定制款光电传感器 Customized photoelectric sensor	检测距离: 20:20cm 1:1m Detection distance:	检测方式 Sensing method D:漫反射 Diffusere-reflective R:回归反射 Retro-Reflective with MSR function	输出方式 Output configuration: N:NPN输出 DC 3-wire,NPN P:PNP输出 DC 3-wire,PNP	输出状态 Operation mode: K:常开 NO B:常闭 NC	产品等级 Product grade: Z:Z级	线缆长度 Cable length (标配2米 Standard Cable length is 2m) 5 : 5m	客户定制 Customized informat

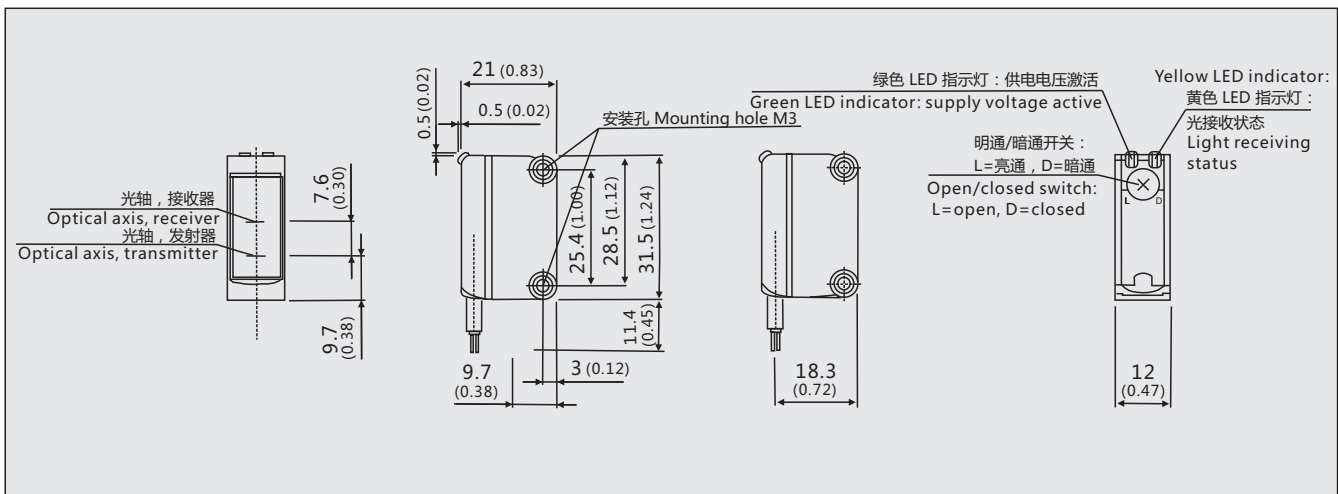
### ► 产品种类 Product Category

型号 Model	形状 Appearance	检测距离 Sensing distance	输出规格 Output configuration	动作状态 Operation mode	连接方式 Connection mode
MBZ-20DNK-Z		20cm	N:NPN输出 DC 3-wire,NPN P:PNP输出 DC 3-wire,PNP	K:常开 NO B:常闭 NC	导线引出 Cable line
MBZ-1RNK-Z		1m			

### ► 产品参数 Product features

电气参数 Electrical parameters			
工作原理 working principle	漫反射光电传感器 Slow reflection photoelectric sensor	工作电压 UB working voltage	10-30VDC
工作原理详细信息 Operating principle details	能量型 Energy type	残余纹波 Residual ripple	±10%
最大开关距离 Maximum switching distance	5-250mm	电流消耗 Current consumption	30mA
感应距离 Sensing distance	35-140mm	开关量输出 Switching value output	NPN
光源 light source	Pinpoint-LED	信号电压 NPN 高电平、低电平	About 约UV/≤3V
光源种类 Type of light source	可见红光 Visible red light	输出电流 I <sub>max</sub> Output current	≤100mA
光斑尺寸(距离) Spot size(distance)	φ6mm (100mm)	响应时间 response time	< 625μs
设置 set up	机械设置, 5转 Mechanical setting, 5 turns	开关频率 switching frequency	1,000Hz
开关类型可选 switch type optional	可通过明通/暗通开关选择 It can be selected through the open/closed switch	开关类型 switch type	明/暗切换 Light/dark switching
机械参数及环境参数 Mechanical parameters and environmental parameters			
设计构造 Design construction	方形 square 12mmx31.5mmx21mm	外壳 Enclosure	塑料 Plastic, ABS/PC
尺寸(宽x高x深) size(widexhighxdeep)		线缆长度 Cable length	2m
接口 Interface	电缆 3 芯, 2m Cable 3-core, 2m	外壳防护等级 Enclosure protection class	Ip67
导线横截面 Conductor cross section	0.14mm <sup>2</sup>	运行环境温度 Operating ambient temperature	-25°C ...+65°C
前镜 Front mirror	塑料 Plastic, PMMA	储存环境温度 Storage ambient temperature	-40°C...+65°C
电缆 Cable	PVC		

### ► 安装尺寸图 Mounting Dimensions(单位Unit:mm)



编码器/磁栅尺  
Encoder/Magnetic Scale

位移/倾角/计数器  
Displacement /Inclination /Counter

接近加速度/温度  
Proximity/Acceleration/Temperature

光电/超声波/区域  
Photoelectric/Ultrasonic/Area

压力/称重  
Pressure / load cell

联轴器/附件  
Couplings/Accessories