

# MUJIE 慕杰®

YOUR AUTOMATION, YOUR MUJIE!

位移行程0-1500mm,可装内置变送器,  
可选模拟量输出:0-5V,0-10V,4-20mA  
常用于注塑机,鞋机,液压气动等设备

## 直线位移传感器MTCL系列 Linear displacement sensor MTCL series

Displacement stroke: 0-1500mm,  
Built in transmitter can be installed,  
Optional analog output: 0-5V, 0-10V, 4-20mA  
Commonly used in injection molding machines,  
shoe machines, hydraulic and pneumatic equipment



### ► 型号说明 Model Explanation

M	TCL-	50	-4A	-□
基本型号Model M:型号代码 Model code M□: 特殊型号定义 Special definition	TCL:拉杆系列 Tie rod series	可用行程Use Travel: 50,75,100,110, 125,130,150,175,200,225, 250,300,325,350,375,400, 425,450,500,550,600,650, 700,750,800,850,900,950, 1000,1150,1250,1500	输出方式Output configuration: 5V:0-5V 10V:0-10V 0A:0-20mA 4A:4-20mA	客户定制 Customized informat

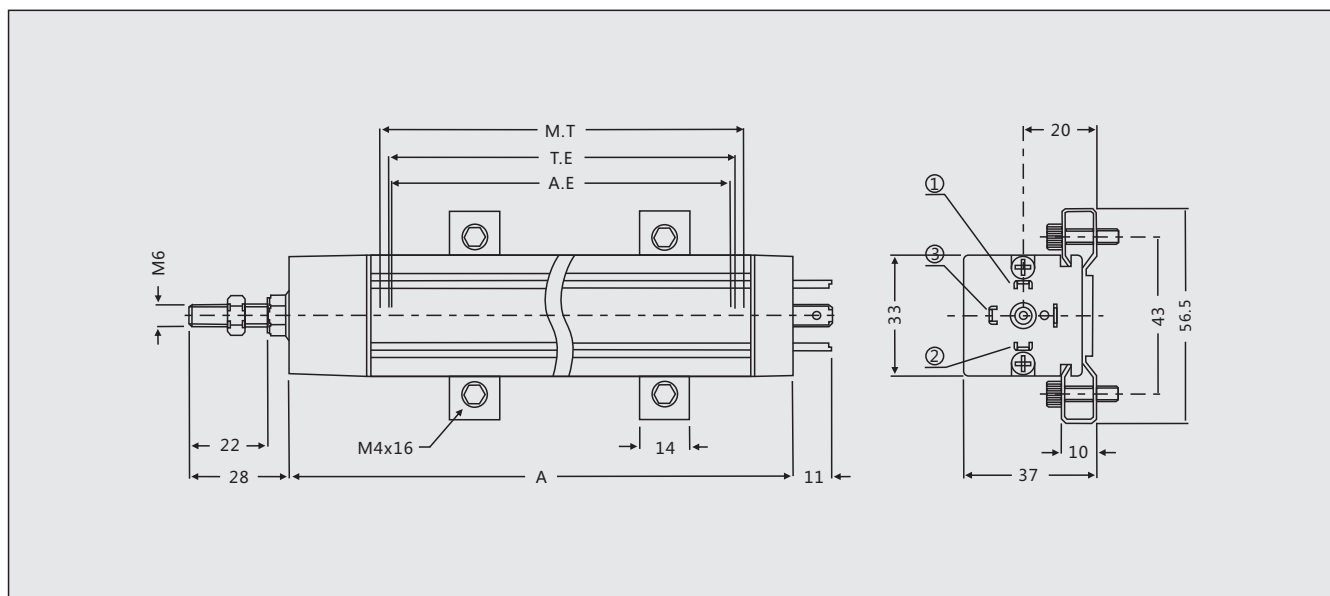
### ► 技术规格 Specification

技术参数 Parameter	
电压 Voltage	12-24VDC
使用行程 (mm) Use Travel (UE)	50,75,100,110,125,130,150,175,200,225,250,300,325,350,375,400,425,450,500,550,600,650,700,750,800,850,900,950,1000,1150,1250,1500
总行程 (mm) Total Travel (TE)	55,80,105,115,130,135,155,180,205,230,255,305,330,355,380,405,430,455,505,555,605,655,705,755,805,855,905,955,1005,1155,1255,1505
电阻公差 Resistance tolerance	5kΩ±20%
线性率 Linearity	±0.05%
机械行程 Maximum Travel (ME)	57,82,107,117,132,137,157,182,207,232,257,307,332,357,382,407,432,457,507,557,607,657,707,757,807,857,907,957,1007,1157,1257,1507
输出范围 Output range	Voltage divider
尺寸 (mm) Size	129,154,179,189,204,209,229,254,279,304,329,379,404,429,454,479,504,529,579,629,679,729,779,829,879,929,979,1029,1079,1229,1329,1579
解析度 Resolution	无限 infinite
工作温度 Operating temperature	-40...+110°C
抗振动 Vibration resistance	50g 11ms
抗冲击 Shock resistanc	5~2000HZ A=0.75mm a=20g
电气连接 Electrical connection	NID 43650标准4极插座 NID 43650 standard 4-pole socket

### ► 电气接线图 Electrical wiring diagram



### ► 安装尺寸图 Mounting Dimensions(单位Unit:mm)



编码器/磁栅尺  
Encoder/Magnetic Scale

位移/倾角/计数器  
Displacement / Inclination / Counter

接近/加速度/温度  
Proximity / Acceleration / Temperature

光电/超声波/区域  
Photoelectric / Ultrasonic / Area

压力/称重  
Pressure / Load cell

联轴器/附件  
Couplings / Accessories